



Model Door Bell



- Application :**
- ◆ Home ◆ Hospitals
 - ◆ Office ◆ Hotels
 - ◆ Resorts
 - ◆ Industrial Automation
 - ◆ Clean Room Applications



Aesthetically appealing to suit the exterior appearance and one of the unique from the modular switch range, this door bell switch offers a modern stylish welcome note at the doorstep..

Designed for a selective option of 230VAC and 12V DC. Designed to fit into a 2 modular panel, makes it easy for a retrofit installation in the existing panel.

Loved and admired for its illuminated iconic feature, which makes it easy to identify at the day and night times is a great demand from all the interior decorators and the people who love to welcome their guest with a smooth...single.....feather touch invite.

Features :



Single soft touch operation.



Easy identification in the dark with back illuminated icon.



Blends with the interior



Designed to be totally shock proof.

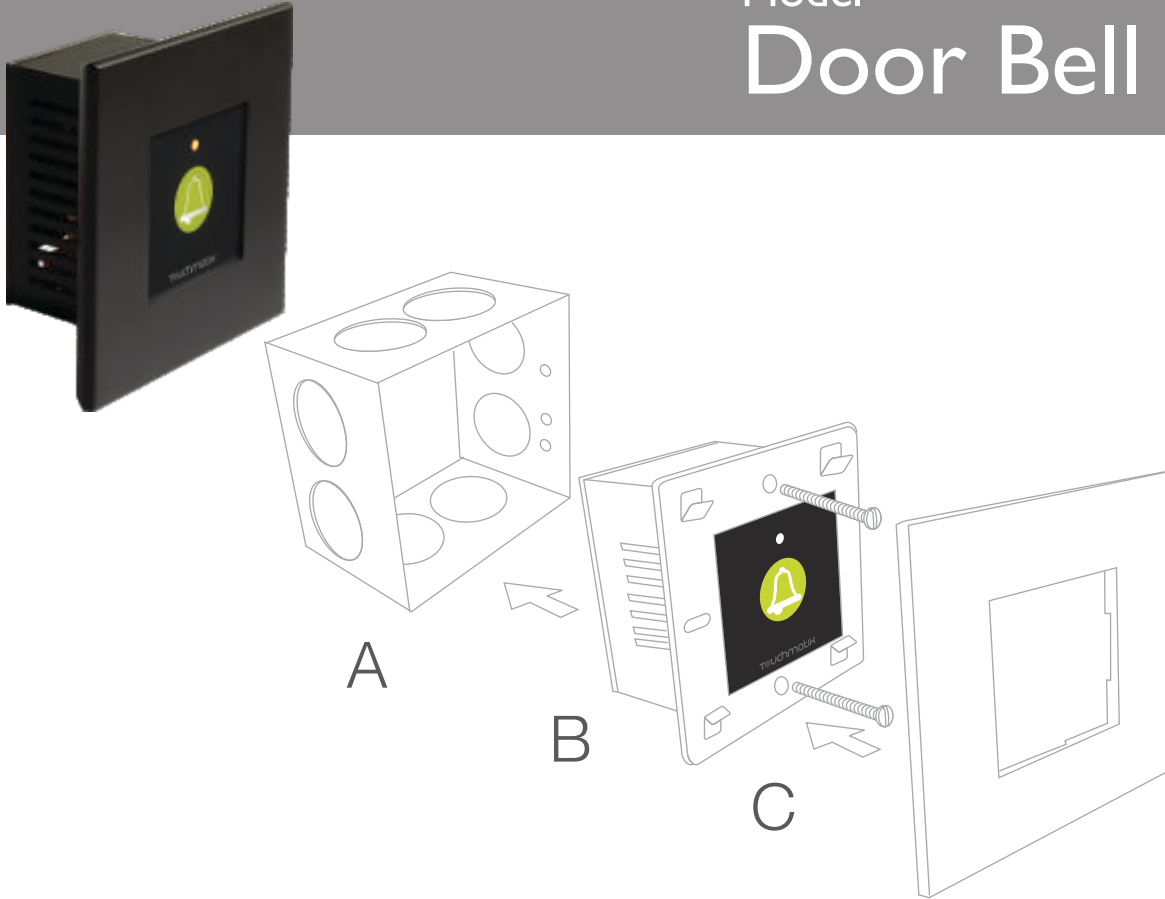


Easy to install .



Easy to clean and dis -infective.

Model Door Bell



Technical Specifications :-

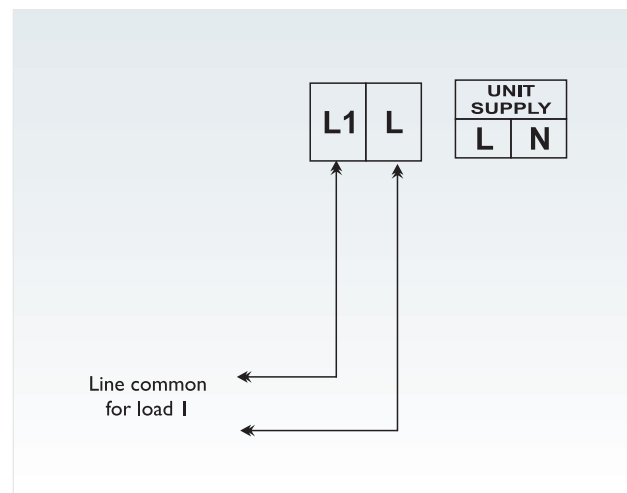
| | |
|-----------------------|-----------------|
| Input Voltage | : 160 – 270 VAC |
| Input Frequency | : 45 – 65 Hz |
| Current Limits | : 3A max. |
| Operating temperature | : 0 to 50 °C |
| Power consumption | : 0.4 watts |

Mechanical Fitment :

Switchboard Dimension

| | |
|-------------------|----------------------------|
| With enclosure | : 90.3 mm x 90.3 mm. |
| Without Enclosure | : 45.3 mm x 45.3 mm. |
| Fitment | : 1/2 Module Box - 6890 07 |

Electrical Connections Details



“Installation recommended strictly followed as per the installation guidelines provided and done by a skilled and licensed Electrician/Technician.”

Note : Due to continuous improvement in product specification & features the above data may vary.